

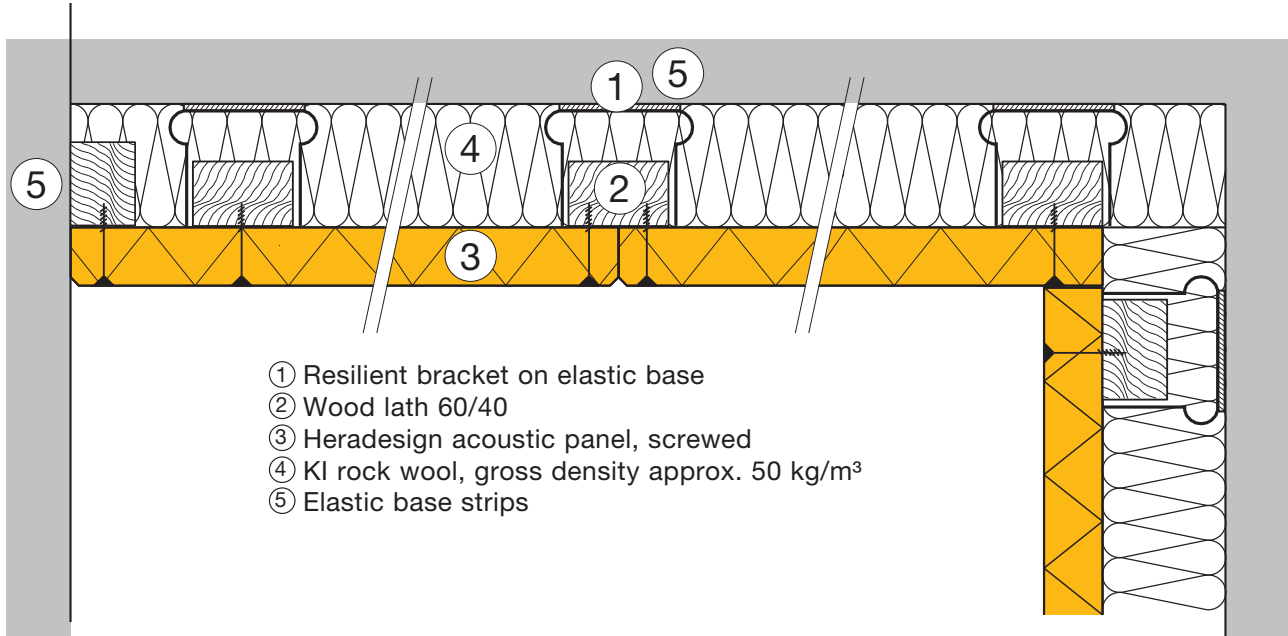


Heradesign® facing panel

Angularly flexible facing panels for walls and ceilings

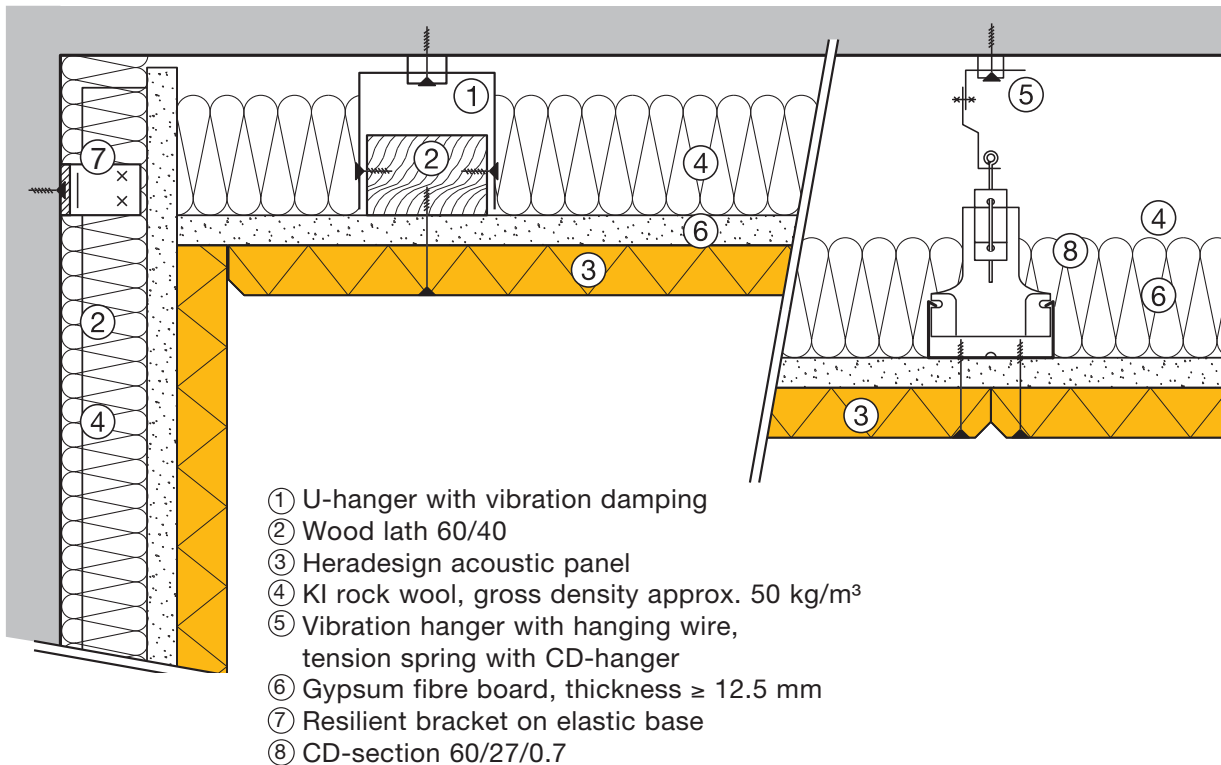
Wall covering - mounting on laths and resilient brackets.

Special construction to achieve shorter reverberation time with high sound insulation. This can improve the impact sound insulation of ceilings as well as the sound insulation of walls by up to 10 dB, depending on the existing construction and the assembly that has been selected.



Facing panel

Ceiling covering - installation on hanging lath frame / hanging CD-sections.



Note: it is not permissible to glue Heradesign acoustic panels with gypsum or gypsum fibre boards. The Heradesign acoustic panels must be anchored in the supporting substructure of the gypsum boards.

Attention: for increased demands on sound insulation, a layer of gypsum fibre board / gypsum board / OSB panels can be placed between the substructure and the Heradesign acoustic panel. Nevertheless, the substructure must be implemented such that the Heradesign acoustic panels can be screwed into the wood laths, or CD-sections, and the increased load can be borne safely. The spacing of the main and cross sections as well as the resilient brackets or the hangers must be matched.

Mounting information

For the implementation **requirements**, see **DIN 18168 T.1** "Lightweight ceiling linings and suspended ceilings".

Install wood laths or CD-sections 60/27/0.6 with the required centre distance on resilient bracket with elastic base or with U-hangers with vibration damping. Distribute laths or CD-sections symmetrically; make sure the end fields are the same size.

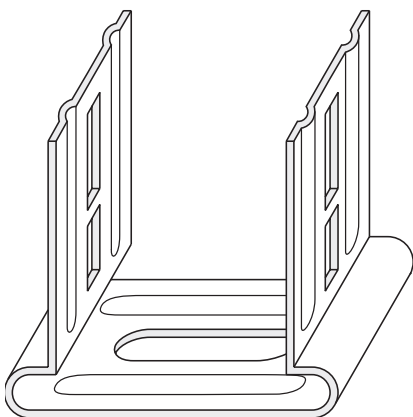
- Press the panels in and align them longitudinally in the bracing, transversely to the direction of the laths and fasten them with rust-protected screws (head diameter ≥ 9 mm) to the supporting structure. Depending on the width of the panel and the centre distance, at least 3 screws are necessary.
- **Square panels:** observe the installation direction marked on the back when installing the panels.

- **Cross joints:** Four panel corners meet at one point, which means increased accuracy is required when installing.
- **For F 30 / EI 30 ceilings** do not use any elastic damping elements – only metal resilient brackets alone. Set the screws skewed by approx. 10° .
- **Screws:** wood or drywall screws (with special tips for CD-sections) with partial thread and countersunk heads are suitable. Head diameter ≥ 9 mm. The necessary corrosion protection must be matched to the conditions prevailing in the room. The screw heads must be set to be flush with the panel surface and after installation they must be covered with a paint supplied by the manufacturer by request or an equivalent.
- Film or mineral wool is inserted piece by piece with the installation of the acoustic panels. Film joints and connections must be taped up. A PE film with a thickness of up to $30 \mu\text{m}$ does not degrade the sound absorption of the underlying absorbers and is recommended for mineral wool lining.
- **Damaged**, or soiled panels or panels with colour deviations may not be installed.

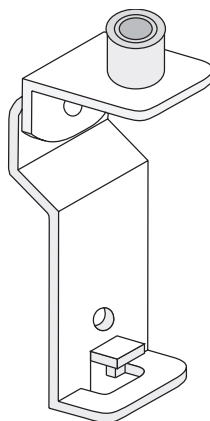
It is not permissible to **fasten** Heradesign acoustic panels **using glue or glue in combination with screws** to gypsum/OSB boards.

Screw mounting, see page 7.

Resilient bracket



Hanger with elastic spring element



U-hanger with vibration damping

