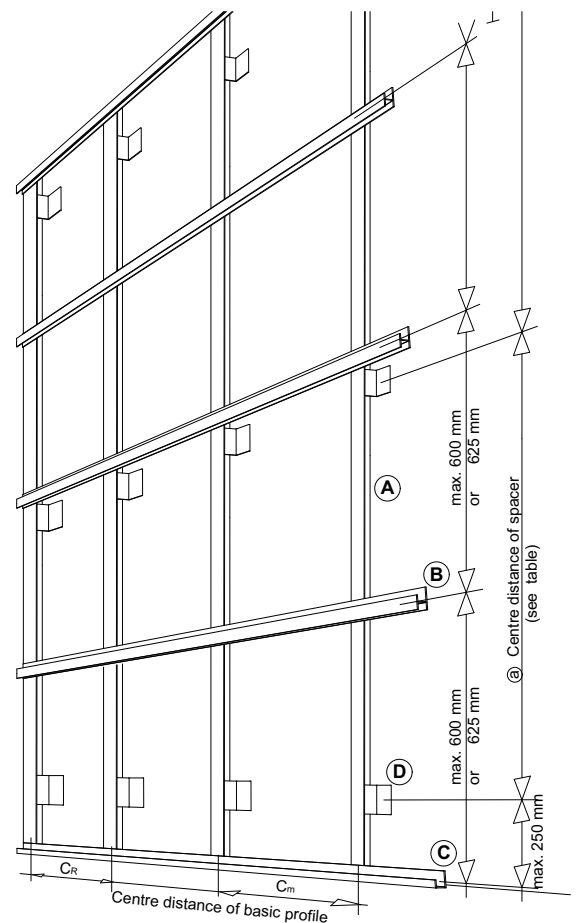
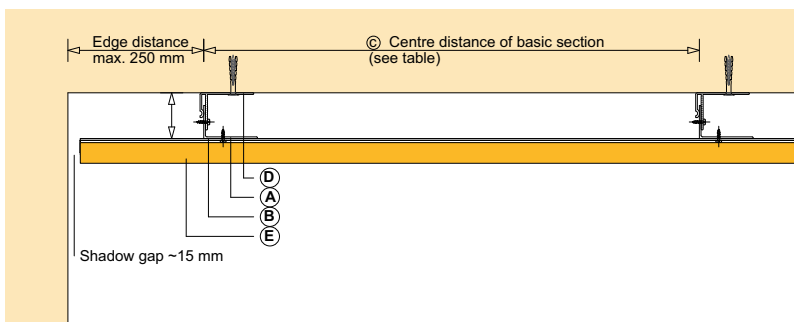




Wall mounting with holding profile

- A** Basic profile L60/40/1.8
- B** Main profile
- C** Edge profile
- D** Wall spacer
- E** Heradesign acoustic panel



Products

Product	Thick-ness mm	Weight kg/m ²	Edge design	Distance between main profiles	Panel dimensions mm	Remaining dimensions of panels
Heradesign® <i>superfine</i>	25	11.3	SY-02	600; 625	600/600 625/625 1200/600 1250/625	600; 625
Heradesign® <i>fine</i>	25	12.4				
Heradesign® <i>micro</i>	25	15.0				
Heradesign® <i>superfine A2</i>	25	18.0	SY-02	600	600/600 1200/600	600
Heradesign® <i>fine A2</i>	25	19.0				
Heradesign® <i>plano</i>	25	15.0				

Please note: Heradesign is not a system holder according to DIN-EN 13964.
The system has not been tested for EI 30 fire resistance and safety against ball throwing.

Maximum spacer and profile spacing for wall mounting

Calculated for two-span beams and deflection class 1 according to DIN-EN 13964 (max. deflection: L/500)

Basic profile Angle 60/40/1.8 mm Max. spacing © in mm ¹⁾	Max. spacing @ of the spacers for load class 0.25 kN/m² 1) Max. additional horizontal loads (AL) in kN/m²		
	a = 800 mm	a = 1000 mm	a = 1200 mm
c _m = 600 mm (middle field) c _R = 600 mm (edge field)	AL = 0.70 kN/m ²	AL = 0.65 kN/m ²	AL = 0.50 kN/m ²
c _m = 800 mm (middle field) c _R = 600 mm (edge field)	AL = 0.60 kN/m ²	AL = 0.50 kN/m ²	AL = 0.30 kN/m ²
c _m = 1000 mm (middle field) c _R = 800 mm (edge field)	AL = 0.30 kN/m ²	AL = 0.25 kN/m ²	AL = 0.20 kN/m ² ²⁾

Required load bearing capacity F_{perm} of the dowels:

Spacing @ up to 800 mm: dowel min. 10 x 60 mm, with screw 7 x 69; with F_{perm} = 0.80 kN

Spacing @ up to 1000 mm: dowel min. 10 x 80 mm, with screw 7 x 89; with F_{perm} = 1.00 kN

Spacing @ up to 1200 mm: dowel min. 10 x 80 mm, with screw 7 x 89; with F_{perm} = 1.20 kN

Anchoring of the structure in a load-bearing base only with approved dowels.

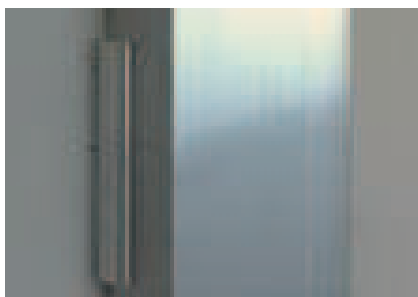
Please note

1) Higher loads or spacing of the profiles and spacers are to be confirmed through structural analysis by the agent before starting with the mounting.

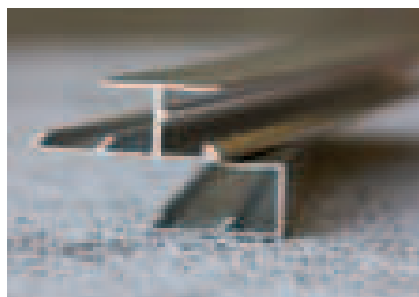
2) Dead load

- c_E : max. permissible spacing for edge fields with multi-span beams
- Basic Profile L 60/40/1.8 mm with 40 mm statically effective height taken into consideration
- Max. free overhang of basic and main profile: 250 mm
- Max. spacing for single-span beams on request
- Per joint at least two drilling screws 4.8 x 20 mm

System parts



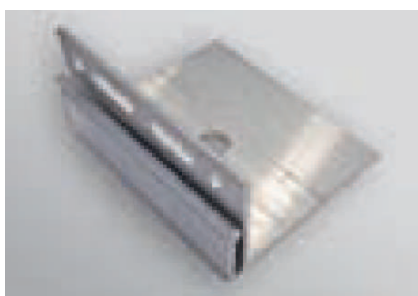
A - Basic profile L 60/40/1.8



B -Main profile



C - Edge profile



D - Spacer



E - Heradesign® acoustic panel

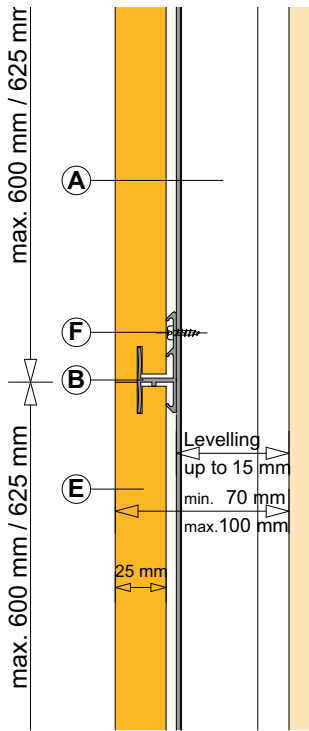


F - Drilling screw

Assembly component		Spacing	Approx. material requirements / m ² wall area ¹⁾		
			600/600		
A	Basic profile L 60/40/1.8	C = 600 mm	1.7		
		C = 800 mm	1.25		
		C = 1000 mm	1		
B	Main profile	600 mm	1.7		
		625 mm	1.6		
C	Edge profile ²⁾	1200 mm	0.84		
		3000 mm	0.70		
		6000 mm	0.35		
		9000 mm	0.25		
		larger	as required		
D	Spacer ³⁾	Spacing	C = 600 mm	C = 800 mm	C = 1000 mm
		a = 800 mm	2.80	2.00	1.70
		a = 1000 mm	2.20	1.60	1.30
		a = 1200 mm	1.70	1.25	1.00
F	Drilling screw	a = 800 mm	7.50	6.50	6.00
		a = 1000 mm	7.00	6.00	5.00
		a = 1200 mm	6.50	5.50	5.00

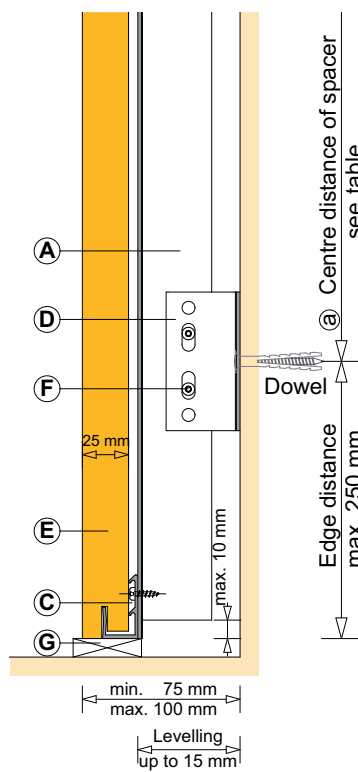
¹⁾ The specified values are non-binding guide values without cutting losses or other losses.
²⁾ For a width of the acoustic area of 1200, 2400, 3000, 6000, 9000 mm and taking into consideration the permissible spacing @ of the spacers.
³⁾ For a length of the basic profile of 3000 mm.

Vertical section middle



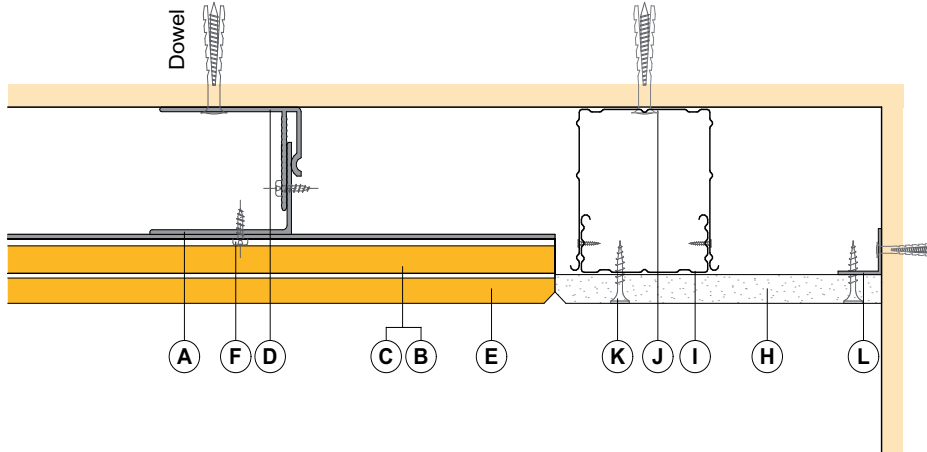
- Ⓐ Basic profile L 60/40/1.8 mm
- Ⓑ Main profile
- Ⓔ Heradesign® acoustic panel
Thickness max. 25 mm
Edge design SY-02
- Ⓕ Drilling screw 4.8 x 20 mm

Vertical section at the base



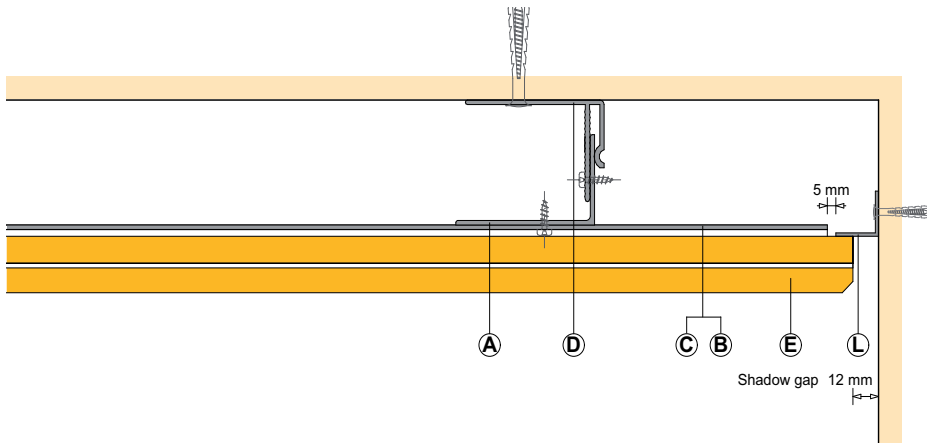
- Ⓐ Basic profile L 60/40/1.8 mm
- Ⓒ Edge profile
- Ⓓ Spacer
- Ⓔ Heradesign® acoustic panel
Thickness max. 25 mm
Edge design SY-02
- Ⓕ Drilling screw 4.8 x 20 mm
- Ⓖ Base structure according to the planner's specifications

Horizontal section of edge connection with drywall frieze



- Ⓐ Basic profile L 60/40/1.8 mm
- Ⓑ Main profile
- Ⓒ Edge profile
- Ⓓ Spacer
- Ⓔ Heradesign® acoustic panel
Thickness max. 25 mm
Edge design SY-02
- Ⓕ Drilling screw 4.8 x 20 mm
- Ⓗ Plasterboard 12.5 mm
- Ⓘ CD-section 60/27/0.6 mm
- Ⓝ Adjustable direct hanger
- Ⓚ Drywall screw
- Ⓛ Contact angle 21/21 mm

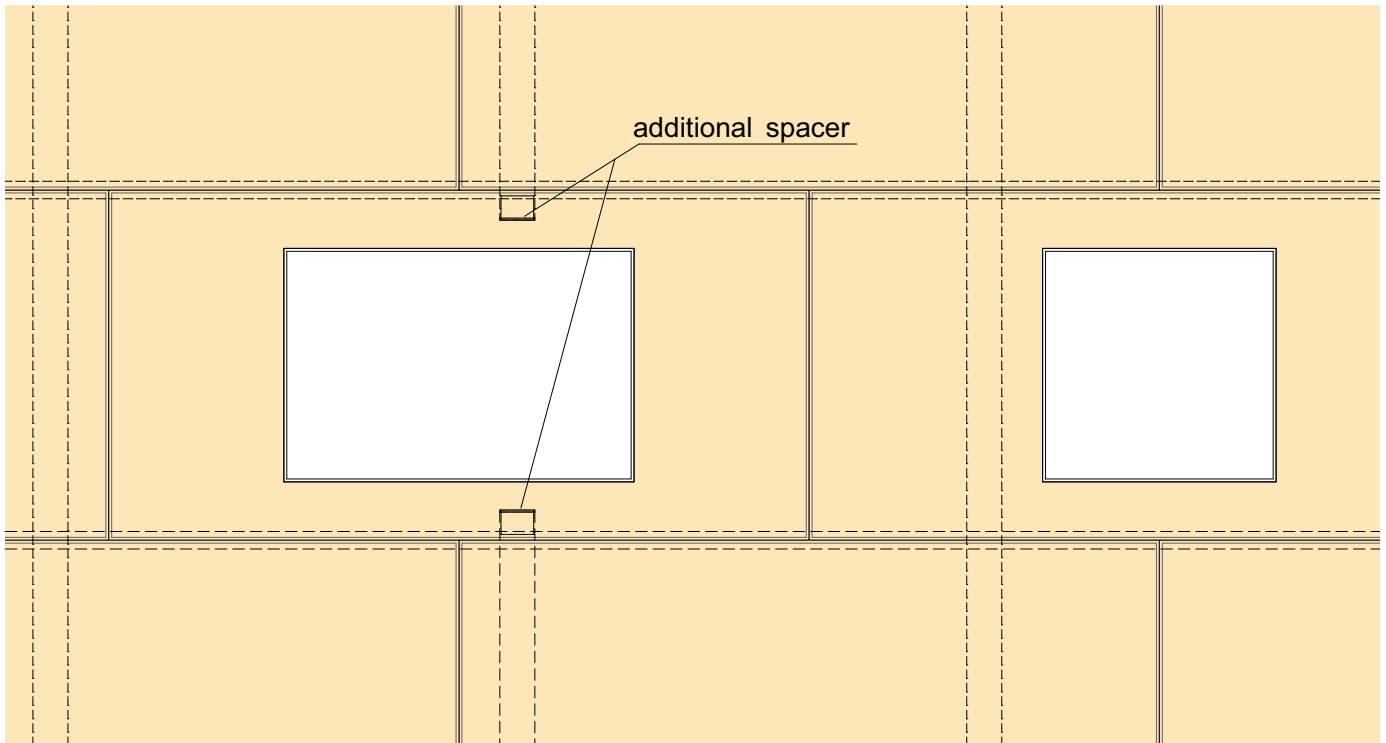
Horizontal section of edge connection with shadow gap



- Ⓐ Basic profile L 60/40/1.8 mm
- Ⓑ Main profile
- Ⓒ Edge profile
- Ⓓ Spacer
- Ⓔ Heradesign® acoustic panel
Thickness max. 25 mm
Edge design SY-02
- Ⓛ Contact angle 21/21 mm

Installation of maintenance openings

When installing maintenance openings with dimensions of 400 x 400 mm or 400 x 600 mm in panels with sizes of 1200 x 600 mm or 1250 x 625 mm, the middle section must be left out over a length of 500 mm so that it is possible to access the ceiling cavity. Additional spacers may possibly be required at the connection points of the basic profile.



Installation photos



Distribute the profiled section distances from the centre of the room taking into account equally sized end fields and the maximum permissible distances. For distances, see Table 18, page 35.



Installation of spacers with permissible dowels (10 mm diameter) and screws with washers.



Attach the basic profile L 60/40/1.8 mm with two drilling screws, 4.8 x 20 mm, each. The second spacer from the top of each basic section is designated as a **fixed bearing**. The drilling screws are set into the two round holes. All other spacers are designated **as slide bearings**. **Height** adjustment of up to 15 mm is possible by moving the basic profile in the spacer.



Install the edge profile by means of two drilling screws, 4.8 x 20 mm, per basic section. Then insert the Heradesign acoustic panels.



Pressure join the panels and align them in each row longitudinally and transversely. Only install the panels with clean hands.



Fix the main profile at the end with only one screw first so that the other end remains adjustable. This makes inserting further panels easier.



Align the panels and the main profile before fixing it with the drilling screws.



Fix the main profile by means of two drilling screws, 4.8 x 20 mm, per basic profile. Set the first drilling screw near the corner of the basic profile.



Installation of the upper edge profile. Space required from the ceiling approx. 40 mm. The first panel is moved approx. 10 cm towards the middle, the screws are set and then the panel is finally aligned in the grid.



Slide in the panels at the side. The edge profile of the last field is only installed after that.



Align the panels before fixing the edge profile with drilling screws.



If there is no space to move the panel laterally, fix the last panel by means of a screw. Cover unpainted screw heads with paint in the colour of the panel and a fine brush.

Mounting information

- **For general requirements** on mounting, see DIN-EN 13946 „Suspended ceilings – requirements and test methods“.
- **Mounting of the spacers D:** before you start mounting, check the base for sufficient load-bearing capacity.
- **Allocate the spacing** from the centre of the room, taking into account equally sized end fields and the maximum permissible distances. For maximum distances, see Table 18. Mount the spacers to the base with approved screws with washers and dowels according to static requirements. The dowels have to be adjusted to the load-bearing capacity of the base.
- **Mounting of the basic profiles A:** depending on the required wall distances of the Heradesign acoustic panels, insert the basic profile (angle 60/40/1.8 mm) into the spacer with either the 40 mm leg or the 60 mm leg, and align it. Height adjustment of up to 15 mm is possible. Screw the basic profile with two stainless steel drilling screws, 4.8 x 20 mm each, to the spacers, and make sure that the second spacer from the top of each basic profile is designated as a fixed bearing, i.e. the two screws are set into the round holes, all other screws are set into the slots in order to enable a length adjustment of the sections.

- **Attention:** at least three spacers have to be set per basic profile of 3000 mm length. If the basic profile is mounted with only two spacers, the maximum distance between these must not exceed 800 mm.
- **Mounting of the edge profiles C:** attach the edge profiles C at the specified distance from the floor, align them and screw each with two stainless steel drilling screws of the dimension 4.8 x 20 mm to the basic profiles. Put the drilling screws in the groove which can be seen on the section. The upper edging is also formed with an edge profile; only pressure join the panels after setting the drilling screws. If the last panel is not movable, secure the outer corner of the panel by means of a screw. The screw head has to be covered by using a fine brush and the supplied paint.
- **Mounting of the Heradesign acoustic panels and main profiles B:** the Heradesign acoustic panels with edge design SY-02 and the main profiles B in grid dimension 600 or 625 mm are installed piece by piece while paying attention to the grid dimension and equally sized end fields. Start mounting the Heradesign acoustic panels at the edge of the wall in smaller areas; in the centre of the wall in large areas. Insert the first Heradesign acoustic panel into the edge profile, then slide in the main profile and finally fix it with a drilling screw so that the structure still remains movable in height. Then insert the other Heradesign acoustic panels, align the panels and main profile and fix the main profile with two stainless steel drilling screws, 4.8 x 20 mm each, to the basic profile. The screws are set into the pre-cut groove in the main profile.
- When installing, pressure join the **panel joints** with the help of an installation block and hammer. Take note of the installation directions marked on the back of the panel. Installation patterns in cross joints require more effort to mount
- **Damaged or soiled panels** may not be installed. Small mechanical damages may be mended by means of the supplied paint.
- **Mineral wool backfilling:** a requisite mineral wool backfilling is installed step by step with the Heradesign panels. If necessary, the lowest layer should be secured against downward movement. If trickle protection is required, we recommend to shrinkwrap the mineral wool in PE film. Thickness approx. 30 µm.
- **Linear expansion** with temperature changes of up to 30°C: To compensate for this, there has to be a free distance of at least 5 mm at the longitudinal joints of basic sections or main profiles for lengths of over 6 m. With temperature changes of over 30°C, position the expansion joints according to static requirements.
- **Corrosion protection requirements:** the dowels and screws have to be chosen according to the existing corrosion load. In order to avoid contact corrosion, stainless steel screws have to be used to connect the aluminium sections with each other. Only use anodised sections and spacers for indoor swimming pools and outdoor applications.
- **Installation of lights:** grid lights cannot be installed; other built-in light fixtures, surface-mounting lights, etc. require a special base. For the installation of spotlights, see the Heradesign Technical Manual: application and handling.

Light installation details	58
Processing	68

Drilling screw

Stainless steel drilling screw, 4.8 x 20 mm, with button head and square socket. For the attachment of basic and main profiles on an aluminium base.

Requirement: approx. six screws per m², or two screws per joint.



Dimension (mm)		For section thickness	Packaging unit
Length	Diameter	mm	pieces / Karton
20	4.8	1-3	200